



M2M WiFi Router



Perfect for

- Industrial deployments in harsh environments
- Primary and backup Internet connectivity
- Controlling and monitoring of connected machines from remote locations
- Collection and analysis of data from connected machines
- Point-to-point or Point-to-Multipoint Machine-to-Machine communications

KEY FEATURES

- Industrial-grade fixed wireless data gateway with extended temperature tolerance
- Designed for rugged deployments in remote environments and industrial applications
- Ideal for providing primary and backup wireless connectivity over mobile broadband networks
- 802.11n WiFi access point with 2x2 MIMO antenna technology
- Powerful processor for optimal performance on advanced 3G/4G networks
- Ethernet 10/100 connectivity for universal deployment
- Analogue telephone connectivity (CS Voice) for complete landline replacement
- Flexible DC power input to suit diverse installation environments
- Built-in VPN clients for a secure connection over a public cellular network
- GPS support for remote asset tracking
- Embedded NetComm Linux OS and Software Development Kit (SDK)
- Remote diagnostics, configuration and firmware upgrade capabilities
- Management and configuration via web user interface, SNMP or SMS





SPECIFICATIONS

MEMORY

- 128MB DDR SDRAM | 256MB NAND Flash

OPERATING SYSTEM

- Embedded Linux 2.6

PEAK DATA SPEED

- Downlink: 21Mbps (HSDPA Cat. 14); Uplink: 5.76Mbps (HSUPA Cat. 6); EDGE MS Class 12: 247Kbps

CELLULAR BANDS

- UMTS/HSDPA/HSUPA: 850/900/2100/1900 MHz | GSM/GPRS/EDGE: 850/900/1800/1900 MHz

CONNECTIVITY

- 1x (RJ-45) Ethernet 10/100Base-TX Port with Auto MDIX, 1x Mini USB 2.0 Console Port, 1x DC-in Port

WIRELESS LAN

- IEEE 802.11b/g/n 2T2R; Frequency: 2.4 ~ 2.438 GHz; Ralink RT3072 Chipset; Peak Data Rate: Max 300 Mbps (MIMO, WPA2)

WIRELESS Security

- WEP 64-bit, WEP 128-bit, WPA, WPA2, WPA-PSK, WPA2-PSK, TKIP, AES, Multiple SSIDs

TELEPHONY

- Circuit-Switched Voice via Standard/Cordless Analogue Telephone

SIM CARD READER

- Lockable Tray Reader, Push-Button-to-Release, Mini USIM/SIM Format

ANTENNA CONNECTORS

- 2x SMA Cellular (MIMO)
- 2x Reverse-SMA WLAN (MIMO)

LED INDICATORS

- Power, Network Service Type, Tx/Rx Data Traffic, Data Carrier Connection, Signal Strength

ADMINISTRATION & CONFIGURATION

- Web-based User Interface (HTTP), Dual System Management, SMS Client (Send/Receive), Advanced SMS Diagnostics and Command Execution, Firmware Upgrade via LAN or Over-The-Air (FOTA), System Monitoring, Diagnostic Log Viewer, System Status and Security Logs, NTP Server Support, SNMP, MIB, 1x Reset Button

MANAGEMENT

- Web-based User Interface (HTTP), Telnet, SNMP v1/v2, TR-069 Client

ROUTING & POSITIONING

- Static, RIP (v1/v2), VRRP, Dynamic DNS, NAT, DMZ, A-GPS (for Location Based Services)

VPN

- PPTP, GRE, OpenVPN

TEMPERATURE / HUMIDITY

- Normal Operating Temperature: -25°C ~ +60°C
- Extended Operating Temperature: -25°C ~ +70°C (Reduced Performance)

INPUT SUPPLY VOLTAGE

- 8 - 28 V DC

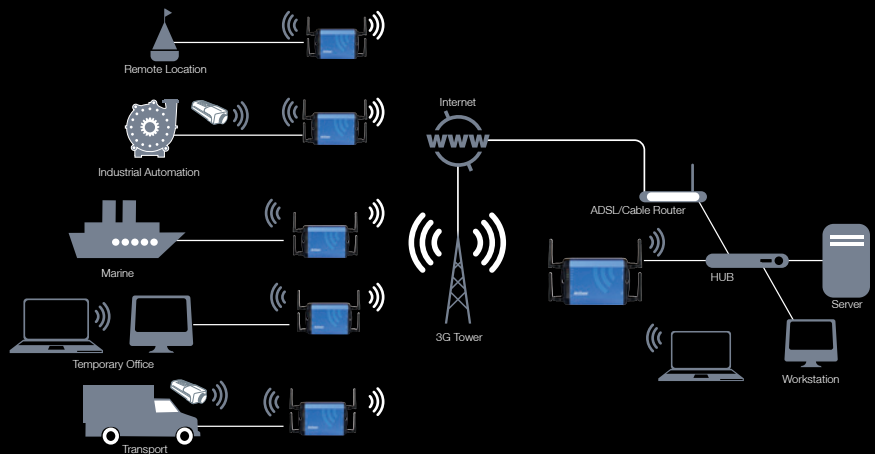
DIMENSIONS & WEIGHT

- 155mm (L) x 104mm (W) x 30mm (D) / 300g

REGULATORY COMPLIANCY

- A-Tick, RoHS

M2M WiFi Router



The feature rich M2M WiFi Router NTC-40WW is designed to provide real-time M2M data connectivity and telephony in a single device even in harsh environments.

Utilising a NetComm Wireless M2M router allows customers to significantly reduce the cost for the deployment and operation of new products and services in remote locations. Using mobile data networks, wireless Machine-to-Machine (M2M) communication enables the secure collection and analysis of data from remote unmanned locations.

The NTC-40WW creates reliable point-to-point or point-to-multi-point wide area network (WAN) connections for a variety of mission critical applications such as primary broadband, data and telephony delivery, in-vehicle wireless hotspot and business continuity.



NetCommWireless

NETCOMM WIRELESS LIMITED

Head Office - 18-20 Orion Road, Lane Cove,
NSW 2066, Sydney, Australia ABN 85 002 490 486

E: m2msales@netcommwireless.com

www.netcommwireless.com