



P 09 974 9277
F 09 974 9288
E info@itiq.co.nz
W www.itiq.co.nz

PO Box 684, Kumeu
Auckland 0841
New Zealand

The SAM3G+ User Guide





Contents

1. Introduction	3
2. Safety Precautions	4
3. Radio frequency exposure - SAR	4
4. WEEE directive 2002/96/EC, disposal of old electronic equipment	5
5. Packaging	6
5.1 Contents	6
5.2 The packaging box	6
5.3 The production label	7
6. Functionality	8
a. General	8
b. The RJ45 socket	9
c. The MiniB USB connector	9
d. The SMB-Jack 50Ω antenna connector	10
e. The USIM holder	10
f. The LED status	10
g. The data cable	11
7. Electrical characteristics	12
a. Power consumption	12
b. RF bands	12
c. Receive sensitivity	12
d. Conducted Transmit Power tolerances	13
e. Main antenna specifications	13
f. Environmental characteristics	14
8. Operation	15
8.1 Using the USB port	15
8.2 Using the Serial RS232 port	16
c. AT commands :	16

1. Introduction

The SAM3G+ is a compact, light-weight, UMTS based modem. It provides GSM, GPRS, EDGE and WCDMA connectivity.

- GSM, GPRS, EDGE : 850MHz, 900MHz, 1800MHz, 1900MHz
- UMTS, WCDMA/HSDPA : 850MHz, 1900MHz, 2100MHz

The SAM3G+ is designed for both mobile and fixed M2M applications. It has an RJ45 socket for both input voltage and serial RS232 signals, a MiniB USB connector, a SMB-Jack for antenna connection, a SIM holder and an LED indicator.

The SAM3G+ is capable of sending/receiving SMS, Circuit switched data and Packet-switched data.



Type Approval	N7NMC8790
Mobile station modem Version	MSM6290
TA code	35506002
EU approval	CE-0682



2. Safety Precautions

The following safety precautions must be observed whenever the SAM3G+ modem is in operation or in service. Failure to comply with these precautions violates the safety standards of the design, manufacture and intended use of the product

- Switch off the SAM3G+ modem :
 - In hospitals or places where medical equipment may be in use.
 - In an aircraft
 - Refuelling points
 - Explosive areas

- Restricted use of the SAM3G+ modem
 - Near any chemical plant
 - Near any Fuel depot
 - Areas with mobile phone warning signs

Respect national regulations on the use of cellular devices. Road safety always comes first

The SAM3G+ modem receives and transmit radio frequency energy while switched on, therefore interference can occur if the SAM3G+ is near TVs, radios, PCs or any inadequately shielded equipment.

3. Radio frequency exposure - SAR

The SAM3G+ modem is a low-power transceiver, similar to a typical handheld

GSM/GPRS/UMTS mobile phone. When it is turned on, it will emit low-level radio frequency energy.

There are different guidelines and standards around the world that govern the permitted levels of radio frequency exposure for general population. The levels include a safety margin to a human body.

The Specific Absorption rate (SAR) is a measure of the rate at which radio frequency energy is absorbed by the body when exposed to radio frequency electromagnetic field. The SAR value is determined at the highest certified power level in the laboratory conditions, but the actual SAR level of the transceiver while operating can be well below this value. This is because the transceiver is designed to use minimum power to connect to the network.



The SAM3G+ modem is approved to use in applications where the ***antenna is placed more than 21cm from the body.***

For other applications, the integrator is responsible for the local SAR requirements.

4. WEEE directive 2002/96/EC, disposal of old electronic equipment



This symbol on the product indicates that this product shall not be treated as household waste . It must be placed at an appropriate collection point for the recycling of electrical and electronic equipments.

By ensuring the correct disposal of this equipment, it will help the environment and human's health. The recycling will help to conserve the natural resources.

The SAM3G+ product is RoHS compliant



5. Packaging

5.1 Contents

The SAM3G+ package consists of :

- A SAM3G+ modem
- A data cable
- A short specification of the SAM3G+ and its pinouts
- A SAM3G+ User Guide



5.2 The packaging box

The carton box diameter is 120mm x 95mm x 60mm

The Data cable is 2m long

The Label diameter is 50mm x 33mm

The Power supply is available on request. It is recommended that the SAM3G+ is powered using a 12Vdc/1A power supply.

The antenna is also available on request. Please make sure the correct antenna is used to get optimised performance from the SAM3G+ (see section 7.e. Main Antenna specifications).

5.3 The production label



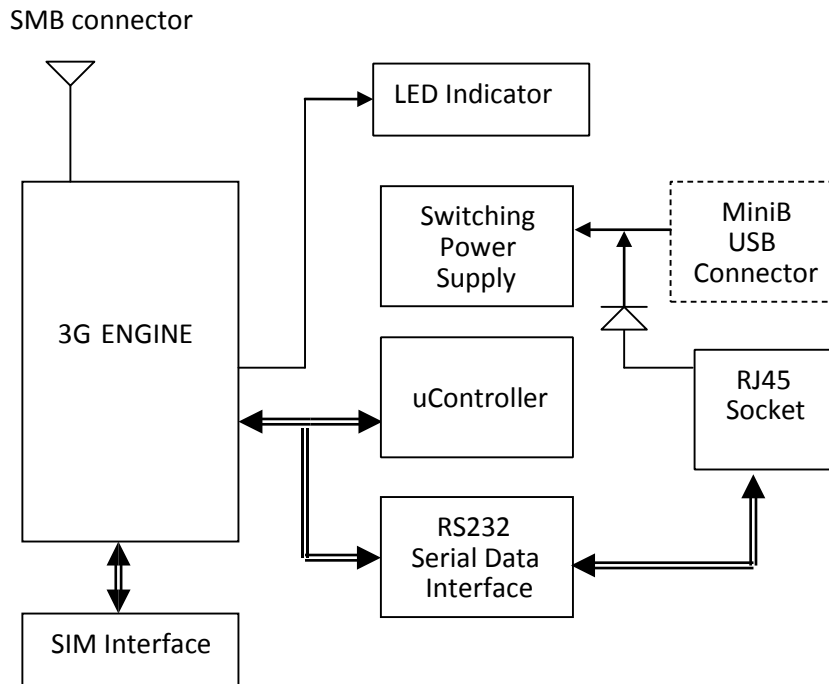
The production part number is located at the back of the SAM3G+, which includes :

- The product model
- The software Version
- The Hardware Version
- The IMEI number
- The manufacturer
- The part number

6. Functionality

a. General

The SAM3G+ modem consists of an RJ45 connector for serial port and input power, a miniB USB connector, an SMB Jack antenna connector and a SIM holder. The LED indicator, located on top, indicates the SAM operating status.



The SAM3G+ Functional Block Diagram

b. The RJ45 socket

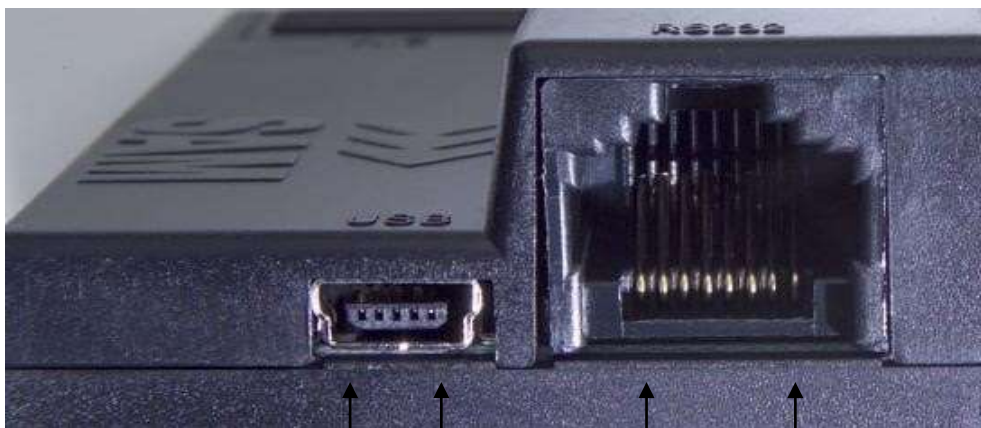
<i>Pin</i>	<i>Signals</i>	<i>Description</i>
1	VIN	Input voltage 5Vdc - 30Vdc
2	DCD	Data Carrier Detect
3	DTR	Data terminal Ready
4	GND	Common Ground
5	RXD	Serial Data out of the SAM
6	TXD	Serial Data into the SAM
7	RTS	Ready to Send
8	CTS	Clear to Send

c. The MiniB USB connector

Pin Signal

1	VIN
2	D- 3 D+
4	N/C
5	GND

Important Note : RS232 and USB ports must not be connected/operated simultaneously



Pin5

Pin1

Pin8

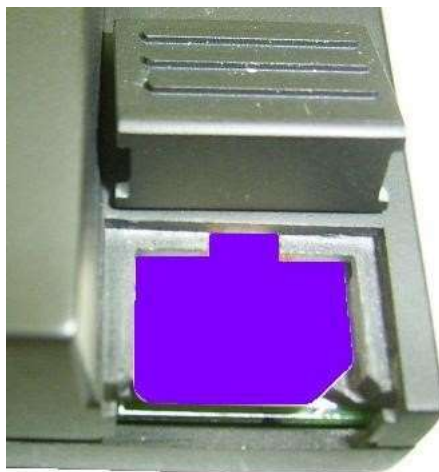
Pin1

d. The SMB-Jack 50Ω antenna connector



e. The USIM holder

To insert the SIM card, remove the door by sliding it back toward the end. Make sure the SIM card faces the right way as indicated on the box. Voltage levels over this USIM interface complies with 3GPP standards



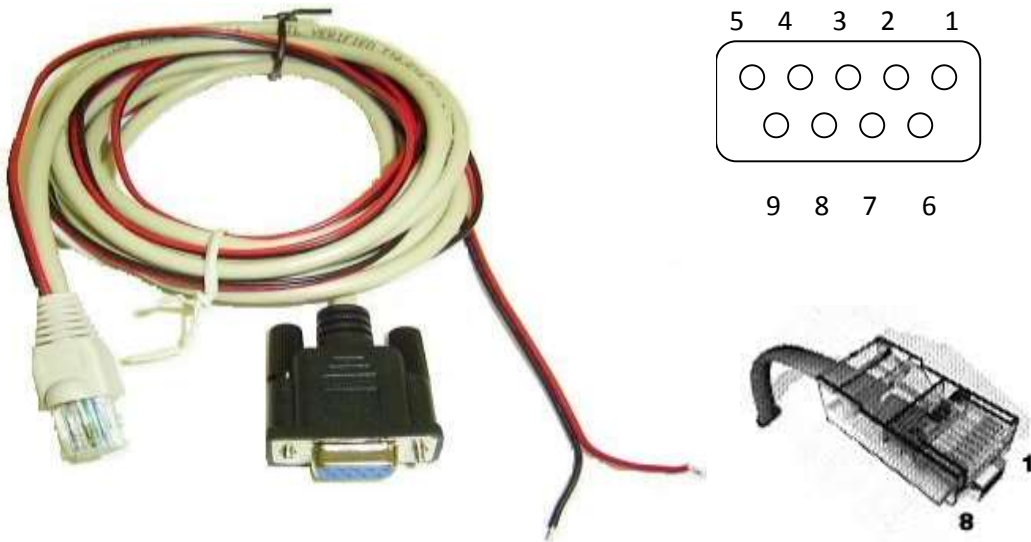
f. The LED status

The LED indication has the following status :

- LED on steady : The SAM3G+ is on and connected, but not transmitting/receiving data
- LED flashes slowly : The SAM3G+ is on and searching for network connection
- LED flashes intermittently : The SAM3G+ is in use (transmit/receive data) - LED is off : No power

g. The data cable

The data cable is 2m long. It consists of an RJ45 plug, a DB9-female connector and a 2-wire input power.



DB9 Signals

1	DCD	2	↔
2	RXD	5	↔
3	TXD	6	↔
4	DTR	3	↔
5	GND	4	
6	DSR		↔
7	RTS	7	↔
8	CTS	8	Clear to Send
9	RI		Not used

RJ45 Description

- 1 RED wire : Input voltage from 5Vdc to 32Vdc
- 4 BLACK wire : Power Ground

7. Electrical characteristics

a. Power consumption

Vin = 12Vdc	HSDPA/WCDMA	GSM/GPRS/EDGE
Idle mode	25mA	25mA
Standby mode	105mA	80mA
In-Use		
2Mbps @ 20dBm Tx	260mA HSUPA	-
7.2Mbps Rx	260mA HSDPA	-
384Kbps @20dBm Tx	230mA WCDMA	-
GSM/GPRS		215mA
EDGE		206mA

b. RF bands

GSM850 :	Tx = 824MHz - 849MHz,	Rx = 869MHz - 894MHz
EGSM900 :	Tx = 880MHz - 915MHz,	Rx = 925MHz - 960MHz
DCS1800 :	Tx = 1710MHz - 1785MHz,	Rx = 1805MHz - 1880MHz
PCS1900 :	Tx = 1850MHz - 1910MHz,	Rx = 1930MHz - 1990MHz
UMTS2100 :	Tx = 1920MHz - 1980MHz,	Rx = 2110MHz - 2170MHz
UMTS1900 :	Tx = 1850MHz - 1910MHz,	Rx = 1930MHz - 1990MHz
UMTS900 :	Tx = 880MHz - 915MHz,	Rx = 925MHz - 960MHz

c. Receive sensitivity

Band	Typical Rx Sensitivity	Maximum Rx Sensitivity
	(dBm)	(dBm)
GSM850 (2% ber) CS	-107.5	-106
EGSM900 (2% ber) CS	-107.5	-106
DCS1800 (2% ber) CS	-106.5	-105
PCS1900 (2% ber) CS	-106.5	-105
UMTS2100(.1% ber) 12.2Kbps	-110.5	-109
UMTS1900(.1% ber) 12.2Kbps	-110.5	-109
UMTS900(.1% ber) 12.2Kbps	-110.5	-109

d. Conducted Transmit Power tolerances

Parameter	Conducted Tx Power	Note
GSM850 & GSM900 CS	+32dBm \pm 1dBm +27dBm \pm 1dBm	GMSK mode, connectorized (Cl.4) 8PSK mode, connectorized (Cl.E2)
DCS1800 & PCS1900 CS	+29dBm \pm 1dBm +26dBm \pm 1dBm	GMSK mode, connectorized (Cl.1) 8PSK mode, connectorized (Cl.E2)
UMTS1900 & 850 12.2Kbps	+23dBm \pm 1dBm	connectorized (Cl.3)
UMTS2100 12.2Kbps	+23dBm \pm 1dBm	connectorized (Cl.3)

e. Main antenna specifications

Frequency Band (MHz)	Network Type	VSWR test frequency (MHz)
824-894	GSM,GPRS,EDGE,UMTS CDMA	Low : 824 Mid : 859 High : 894
880-960	GSM,GPRS,EDGE	Low : 880 Mid : 920 High : 960
1710-1880	GSM,GPRS,EDGE	Low : 1710 Mid : 1795 High : 1880
1850-1990	GSM,GPRS,EDGE,UMTS CDMA	Low : 1850 Mid : 1920 High : 1990
1920-2170	UMTS	(Tx : 1920-1980) Low : 1920 Mid : 1950 High : 1980 (Rx : 2110-2170) Mid : 2110 Mid : 2140 Mid : 2170



The maximum antenna gain recommended, for consideration against RF exposure and ERP/EIRP limits, is :

- In Cellular band : 8dBi
- In PCS band : 4dBi

f. Environmental characteristics

Operating temperature	-25°C to 60°C
Storage temperature	-40°C to 85°C
Humidity	85% non-condensing



8. Operation

The SAM3G+ can support **either** the USB port **or** the Serial RS232 port. The port configuration is done at the point of sale. **Do not operate these 2 ports at the same time !**

8.1 Using the USB port

a. Installing the USB driver

Note : If the old driver version has been installed, it must be removed, before installing the latest driver. To uninstall the old driver, follow these steps :

- **Open the** Control Panel
- Double click **System**, System Properties window appears
- Select the **Hardware** tab
- **Select the** Device Manager
- Expand the **Universal Serial Bus controllers** to show the installed devices.
- Right click the **Sierra Wireless MC87xx device** entry and choose **Uninstall**. - Click **OK** to confirm.

Step1 : Locate and run the DriverInstaller.exe . Note that there is no feedback, just wait a few moments for the program to run.

Step2 : Connect the SAM3G+ to the PC, using the supplied USB cable. Several **Found New Hardware** balloons appear above the tool tray as the system detects the new devices. After the devices are detected, the Device Manager will show, in the following categories :

- Network Adapters : Sierra Wireless HSDPA Network adapter.
 - Port (COM&LPT) :
 - Sierra Wireless AT Command port (UMTS)
 - Sierra Wireless CNS port (UMTS)
 - Sierra Wireless Data Port (UMTS)
 - Sierra Wireless DM Port (UMTS)
- Universal Serial Bus Controllers : Sierra Wireless MC87xx device

b. Firmware upgrade

The USB port is used for firmware upgrade. Refer to the SAM3G+FirmwareUpgrade document for further details.

8.2 Using the Serial RS232 port

The RS232 default configuration is :

- Terminal speed : 115200bps (+IPR=115200)
- Data format : 8 data bits 1 stop bit (+ICF=3,3)
- Hardware RTS, CTS flow control (+IFC=2,2)
- No auto-answer (S0=0)

There are 6 serial data signals available at the RJ45 connector, namely DCD, DTR, RXD, TXD, RTS and CTS. There is an option for RI (Ring Indicator) signal instead of DTR signal.

This configuration allows any external controller to communicate with the SAM3G+ at 115200bps over the serial port. The external device can set up the SAM3G+ modem using AT commands, can transfer Circuit-switched data or Packet-switched data.

With packet-switched data, the external device must be capable of communicating using PPP, TCP/IP or UDP/IP.



Setup example : Serial port connection to a PC

c. AT commands :

The SAM3G+ modem supports **most** of the AT commands specified in the following standards :

3GPP TS 27.005 : Control SMS functions for devices on GSM/WCDMA networks

- 3GPP TS27.007 : Control devices operating on GSM/WCDMA networks
- ITU-T V.250 : Control serial communications over an asynchronous interface

For details of the AT commands, refer to the “**Supported AT command**” and “**Extended AT commands**” manuals.